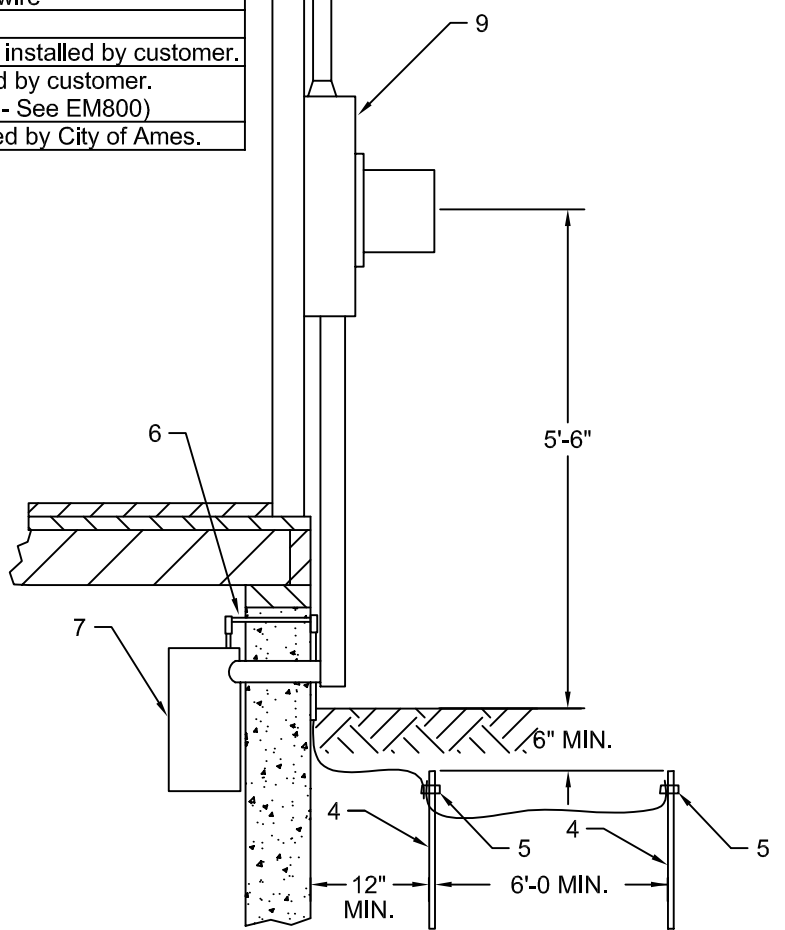


| ITEM | QTY.     | MATERIAL  |
|------|----------|---|
| 1    | 1        | Weather head  |
| 2    | 24" Min. | Service wire, provided & installed by customer.   |
| 3    | 1        | Service mast, rigid steel only  |
| 4    | 2        | Ground rod, 8'-0 min. per NEC.  |
| 5    | 2        | Solderless connector, copper or bronze.   |
| 6    | As Req'd | Nonmetallic conduit for ground wire   |
| 7    | 1        | Customer's service panel.   |
| 8    | 1        | Service attachment, provided & installed by customer.   |
| 9    | 1        | Meter base, provided & installed by customer.<br>(per approved meter socket list - See EM800) |
| 10   | 1        | Service wire, provided & installed by City of Ames.   |



**CITY OF AMES  
ELECTRIC SERVICES**

REVISED: MEI 6/19/17

APPROVED:

**200 AMP SINGLE PHASE  
OVERHEAD SERVICE  
WALL MOUNTED MAST**

**ELECTRIC METERING**

EM702

PAGE 1 OF 2

NOTES:

1. Obtain a permit from the City of Ames Inspections Department, located at City Hall, 515 Clark Ave.
2. Install the meter base on the outside of the building.
3. The meter base shall be installed outside and closest to the electric utility source. If you have any questions about the location of the meter base on the house, please contact the City of Ames Electric Meter Division at 239-5510.
4. Two (2) ground rods spaced six (6) feet apart shall be installed on all services. Grounding conductor shall be bonded to the ground rods, at the first main disconnect, and a metal water pipe.
5. Call City of Ames Electric Meter Division after installation is complete.
6. Service wire is provided and installed by City of Ames Electric Distribution Division from the weather head to the pole.

|   |  |                          |
|---|--|--------------------------|
| <b>CITY OF AMES<br/>ELECTRIC SERVICES</b> | <b>200 AMP SINGLE PHASE<br/>OVERHEAD SERVICE<br/>WALL MOUNTED MAST</b> | <b>ELECTRIC METERING</b> |
| REVISED: MEI 6/19/17                      |  | EM702                    |
| APPROVED:                                 |  | PAGE 2 OF 2              |