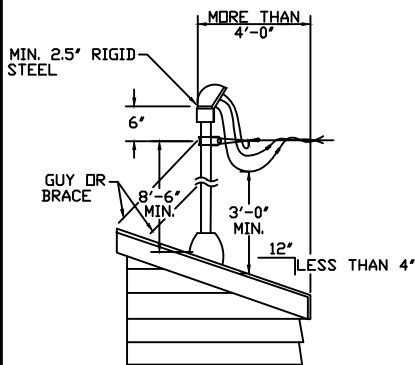


NOTE:

1. If not more than 6' of service passes over the roof to attach to a through the roof service support located not more than 4' from the roof edge, the clearance can drop 18".
2. No coupling is allowed in conduit between the weather head and bottom of the soffit.



NOTE:

If roof has a slope of at least 4/12 and 4' or more of the service conductor passes over the roof, the minimum clearance allowed is 3'-0".

<p>CITY OF AMES ELECTRIC SERVICES</p> <p>REVISED: MEI 6-19-17</p> <p>APPROVED:</p>	<p>CLEARANCE FOR THROUGH THE ROOF SERVICE MAST 300 V AND LESS</p>	ELECTRIC METERING
		EM701
		PAGE 1 OF 1