



CITY OF AMES

DRIVEWAY / CURB CUT APPLICATION

Return to:
 Public Works Department
 City Hall, 515 Clark Ave
 Ames, IA 50010-0811
 FAX: (515) 239-5404

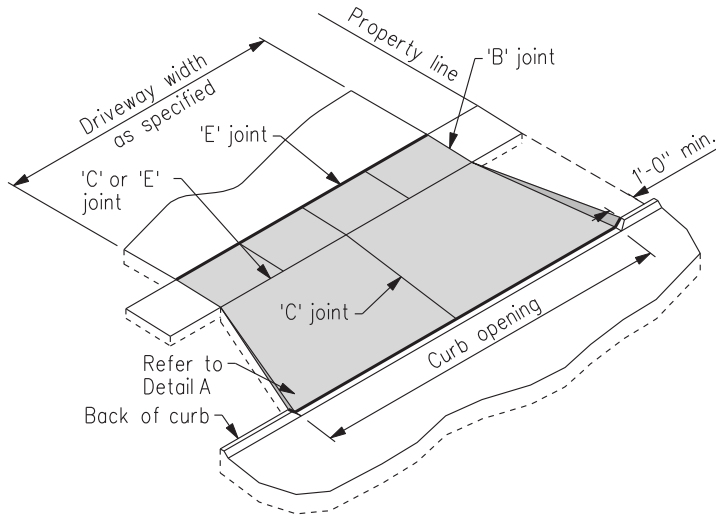
Property Address: _____
 Contractor: _____
 Address: _____

NUMBER: _____
 DATE: _____

Phone: _____ Cell: _____

Fee = \$50.00

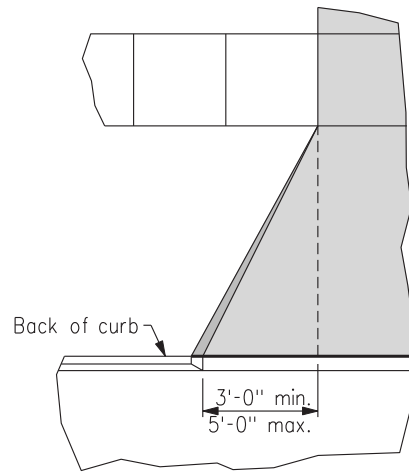
NOTE: If you have questions regarding driveway construction, please call 239-5277.



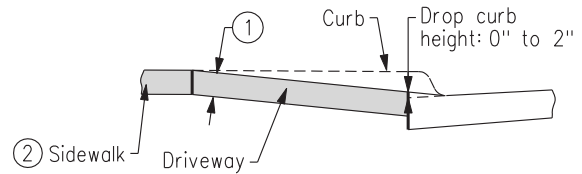
TYPE A WITH FLARES

- ① Pavement thickness.
Residential: 6 inches minimum.
- ② Sidewalk thickness through driveway to match thickness of driveway.

NOTE: See SUDAS figure 7030.101 for more detail



DETAIL A



TYPICAL SECTION

Note: Driveway approach material **MUST** be concrete.

Please fill out the following dimensions:

Note: All driveways must lead to side yard or attached garage. One driveway access permitted for properties with frontage less than 150 ft.

_____ Driveway Width
 (Minimum = 12 ft / Maximum = 30 ft)

_____ Width at Curb
 (Min = 3 ft flares / Max = 5 ft flares)

Is there an intake, fire hydrant, manhole, or other utility located within five feet (5') of the proposed location? (Check One)

YES NO

RESTRICTIONS: _____

 Contractor or Owner Signature

 Approved by Traffic Engineer

Copy to: Street Supervisor, Public Works file, Applicant
 Billed by Inspections: YES _____ NO _____

 Expiration Date